



Uninstall/Swap Guide

GE Hydrostatic Pressure Level Sensor

Contents

- Materials and Tools..... 2
- Remove the Sensor..... 3
- Unwire the Sensor..... 4
- Assemble and Wire the New Sensor..... 6
- Install New Sensor and Calibrate the Tank..... 8

Follow each step carefully on the following pages to ensure a complete uninstall and reinstall of a new sensor.

If at any point you have questions during the process, please contact your Client Success team at support@wellaware.us or by calling (210) 816-4600 (Ext 2).

Materials to be Uninstalled/Swapped

Item	Qty
Submersible Hydrostatic Pressure Level Sensor	1

Required Tools for Uninstall

Phillips Terminal Screwdriver
Arm length PVC or Nitrile gloves
Chemical Cleaning Rag

Required Tools for New Sensor Install

Phillips Terminal Screwdriver
Ferrule Crimper
Wire Ferrules (3)
Wire Cutters
Electrical Tape

Remove the Sensor

1.



*****Disconnect power source to avoid shock!*****

2. Put on chemical tank PPE (PVC Arm length gloves). This will prevent exposing you to any chemicals.
3. Remove the cable gland from the coupler piece attached to the WIRC assembly piece. Then use your chemical cleaning rag and wipe the sensor cable as you slide the sensor out of the tank completely. This is to avoid getting chemical on you or outside the tank. Sensor will slide through PVC pipe and out the top of the WIRC assembly piece. See image below:



Unscrew cable gland to remove sensor from the tank.

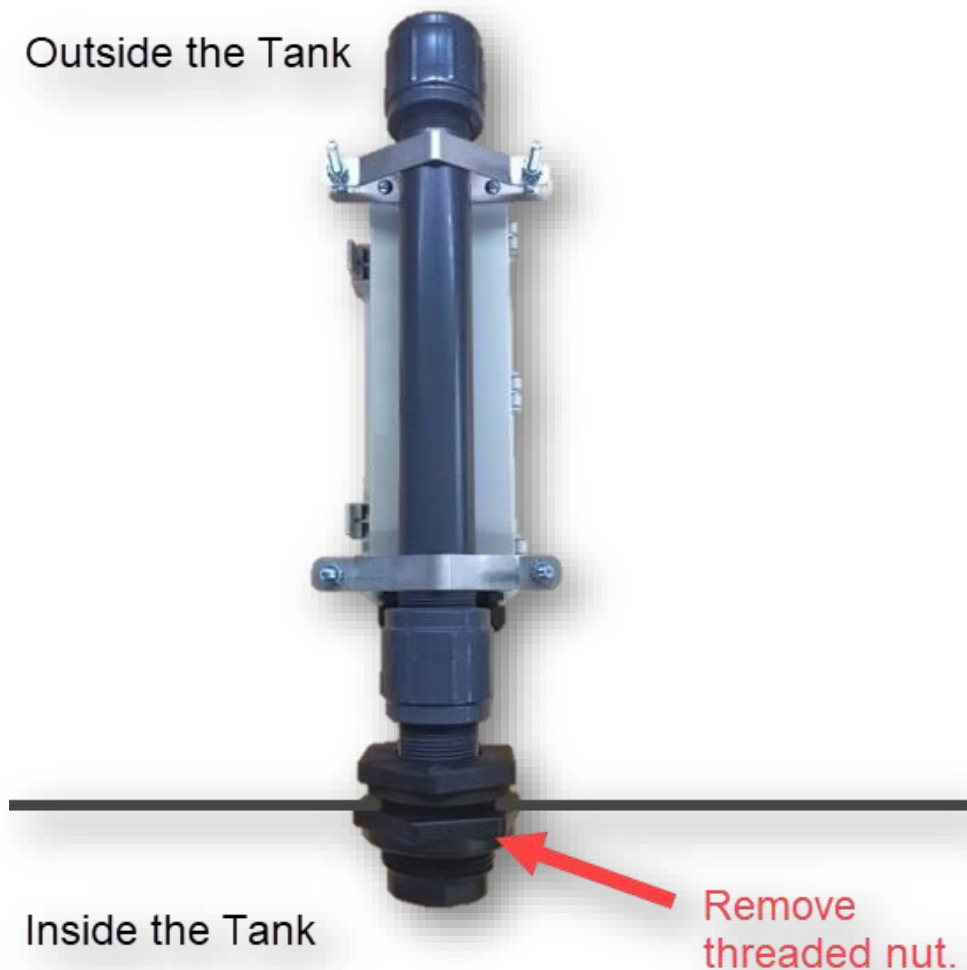
Unwire the Sensor

Note: If you have a quick mount WIRC on top of the tank, you are welcome to remove the WIRC from the top of the tank for easier unwiring and re-wiring for a new sensor. Steps to remove the quick mount WIRC are below.

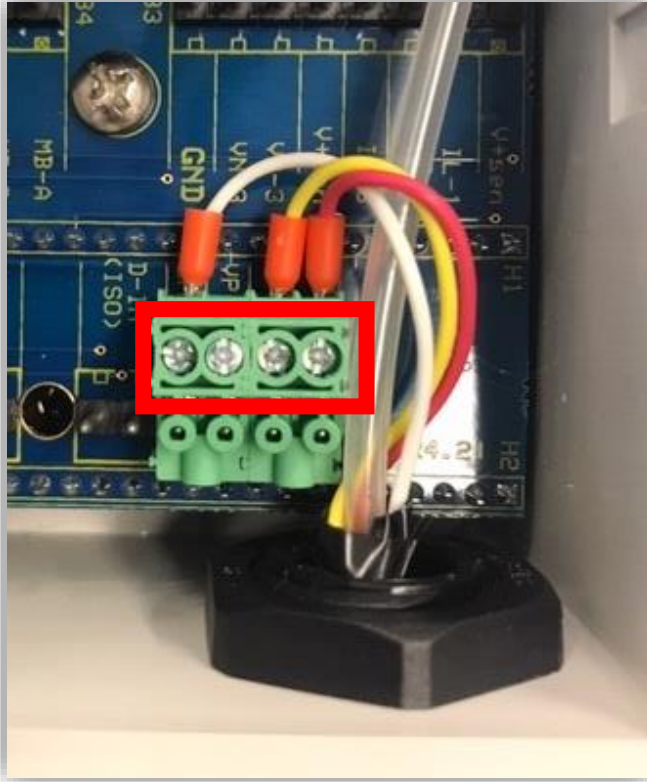
If you wish to do your wiring from the top of the tank, skip to step 2.

1. Remove chemical tank cap. With one hand, hold tight to the bushing piece on the WIRC assembly unit. With your other hand, reach into tank and unscrew the threaded nut piece while being careful to not drop it into the chemical tank. **(Threaded nut has reverse threading so twist right to unscrew.)** This will allow you to pull the entire WIRC assembly unit from the drilled hold in the chemical tank.

Note: If you have power wires attached to the WIRC, be careful when bringing your WIRC to the ground as to not disrupt the power wiring.



2. Open the WIRC box. (If you have AC power on site, you will need to remove the WIRC protective faceplate to get to the circuit board. Remove the screws holding the faceplate in place and set the screws and faceplate aside.)
3. Once the box is open and you can see your circuit board, you are now able to use your terminal screwdriver to loosen the screws on the terminal block holding the sensor wires in place.



Picture is an example.
Circuit boards and wiring may differ based on the type of WIRC you have or sensor you are removing.

4. Once wires are loose, loosen your cord grip and slide your sensor wire completely out of the WIRC box.

You have now successfully uninstalled your sensor. If you are not installing a new sensor and you removed your WIRC from the top of the tank, please restore the WIRC onto the top of the tank and then restore power.

If you need to install a new sensor, please continue to page 6 for next steps.

Assemble and Wire the New Sensor

1. Remove the cord grip and cable gland piece from the old sensor.



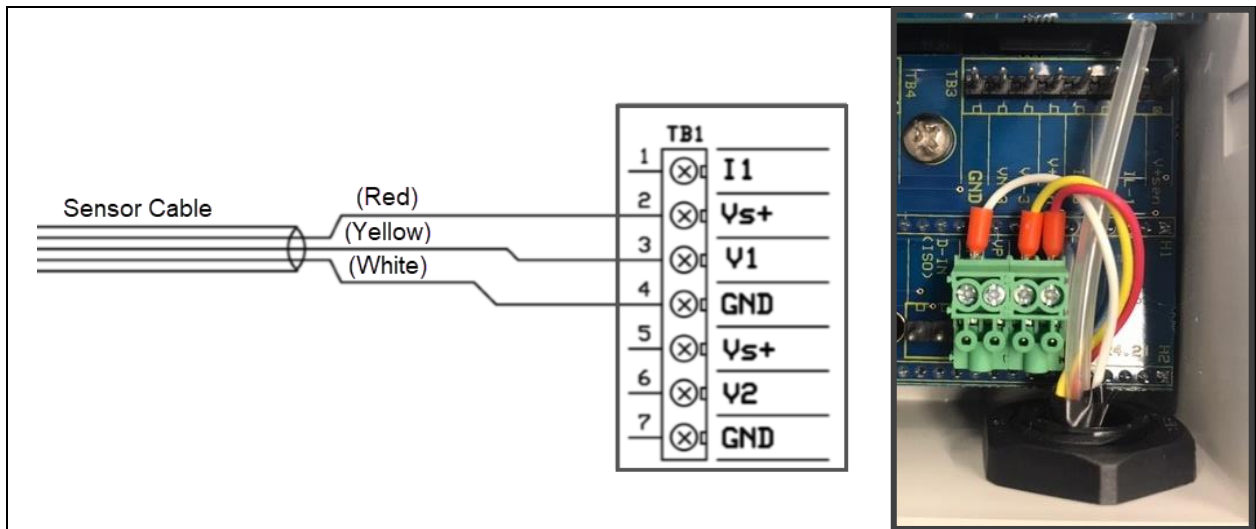
2. Take cable gland and cord grip and thread it onto the end of the new GE sensor. See image below for orientation. Next, unscrew the sensor weight from old sensor. On your new sensor, remove the black plastic cap and screw on sensor weight.



- Next wire the GE Sensor according to the diagram below using wire ferrules. Be sure the plastic reference tube is free from obstruction and avoid crimping or pinching. The length of the tube installed at the terminals is approximately 2" (minimum) and it is preferred to maintain that minimum length.

DO NOT CUT THE REFERENCE TUBE! – This is the clear tube in the image below.

Tools for this step: Wire cutters, ferrule crimper, 3 wire ferrules, terminal screwdriver and electrical tape.



Picture is an example.
Circuit boards may differ.

- Once sensor is wired, tighten cord grip to prevent sensor cable movement. Then, if you removed a circuit board faceplate for AC power, please replace the faceplate now using the screws that were previously removed.

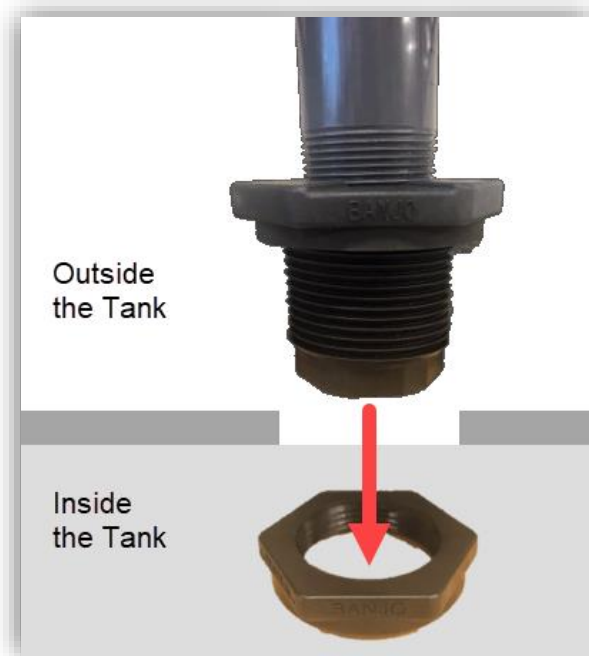


Tighten cord grip to prevent
sensor cable movement.

Install New Sensor and Calibrate the Tank

1. Now is the point where if you removed your WIRC from the top of the tank for easier wiring, you will restore the WIRC back to the top of the tank. Place the bulkhead piece outside of the tank and through the drilled hole. With other hand, reach inside the tank with the threaded nut and attach to the bulkhead. Then tighten until snug. **(Threaded nut is reverse thread so turn to the left to tighten.)** See diagram below.

If you did not remove the WIRC from the top of the tank, move on to step 2.



2. Restore power back to your WIRC by reconnecting power for AC or DC, or by switching the power switch to ON for battery powered WIRCs.
3. Prep your sensor for the install by removing it from its packaging and uncoiling the cord. **DO NOT DROP THE SENSOR INTO THE TANK YET.** The WellAware field app will assist you when to drop it in the chemical.

You can take the sensor and place it into the top of the PVC pipe on the WIRC and then screw in your cable gland. Tighten the cord grip just enough to keep the sensor suspended in the PVC pipe and not drop into the tank.

- Now you will need the WellAware Field App to calibrate your sensor. Open the app and login using your credentials that were provided to you by the client success team. Once logged in, hit the **blue scan button** to locate the WIRC (your Bluetooth must be enabled to do this). Once you see the WIRC listed, click on it to connect to the WIRC.

See the steps below and on the next page to connect to the WIRC and then complete your tank calibration.

1. Open the WellAware Field app and login.



2. Click on the WIRC you are working on.

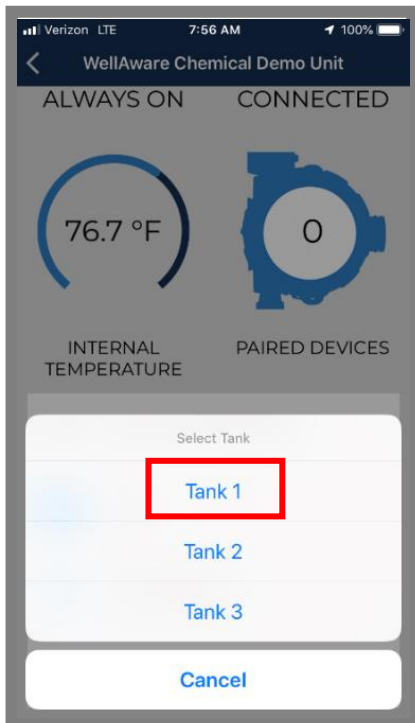


3. Click on the tank icon.

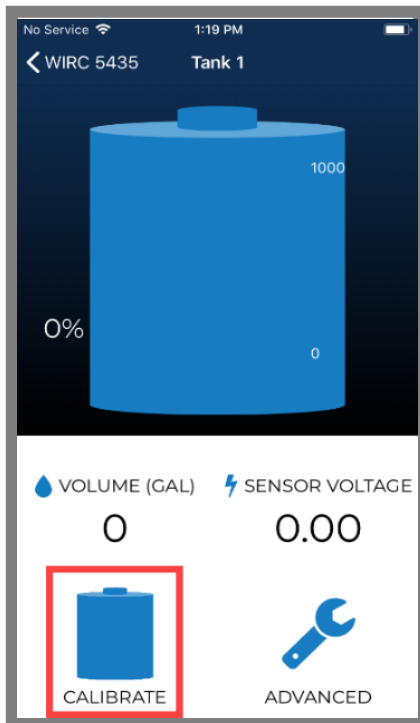


Continue to next page for next steps...

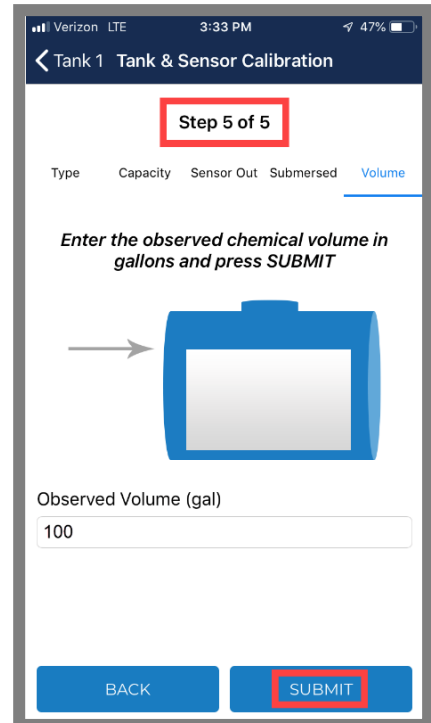
4. Click on the tank one icon.



5. Click on Calibration.



6. Complete the 5 steps and then hit submit.



Now you can tighten your cord grip on top of the WIRC assembly. Be certain the cable is snug on the sensor wire but not too tight that it can crush or kink the reference tube.

You have now successfully installed your new GE sensor! For any further questions you can reach out to your Client Success Team.

